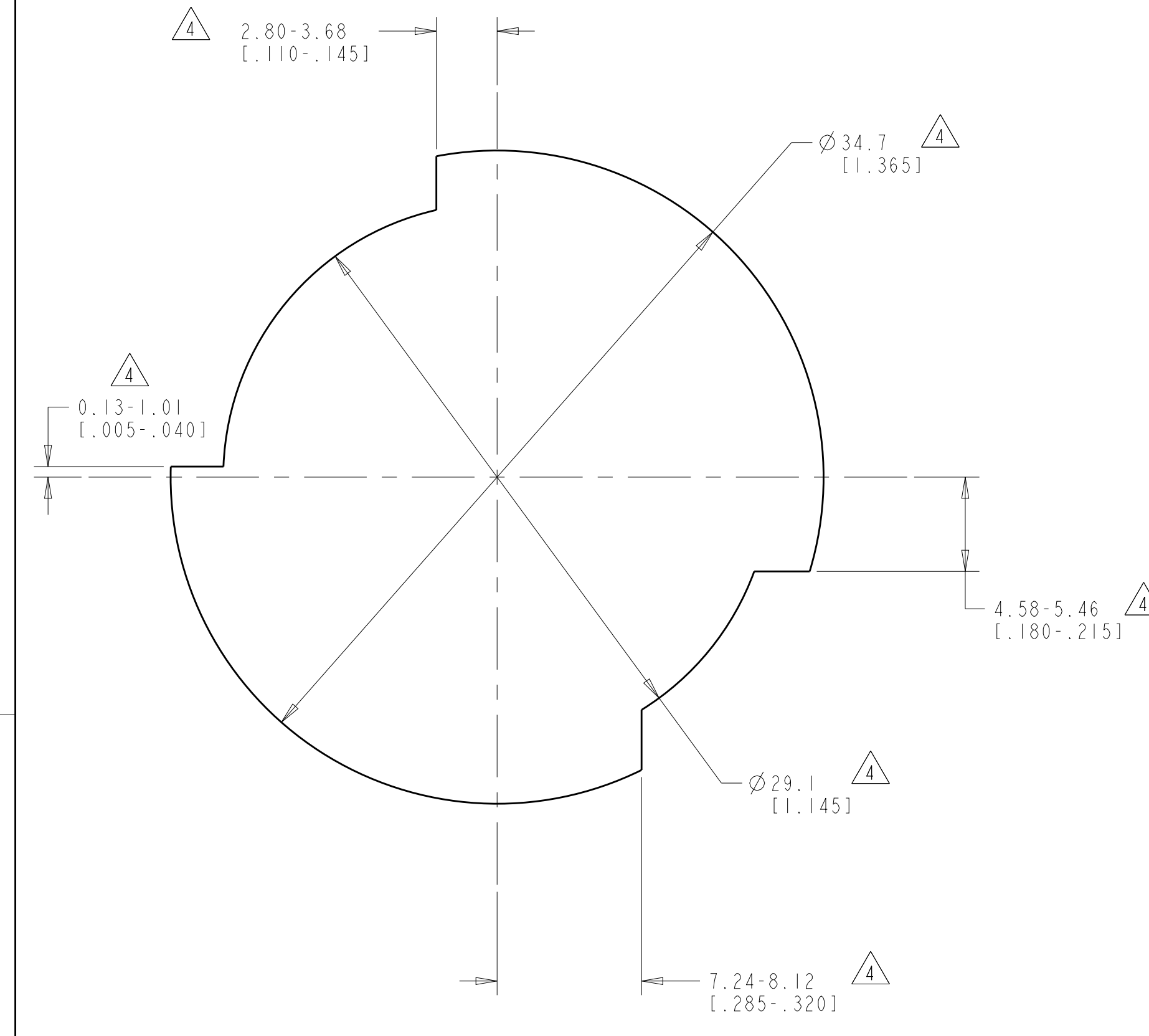
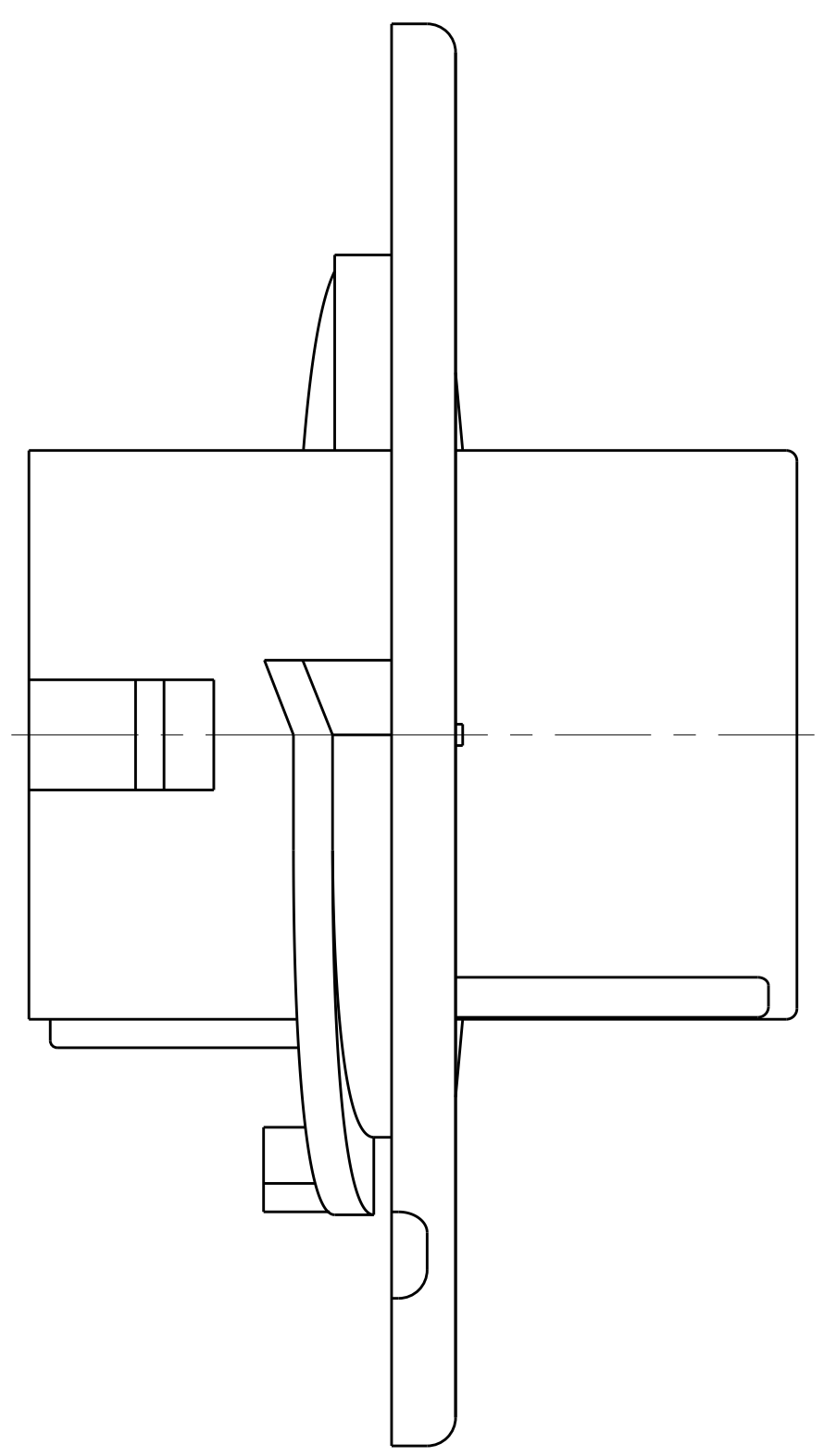


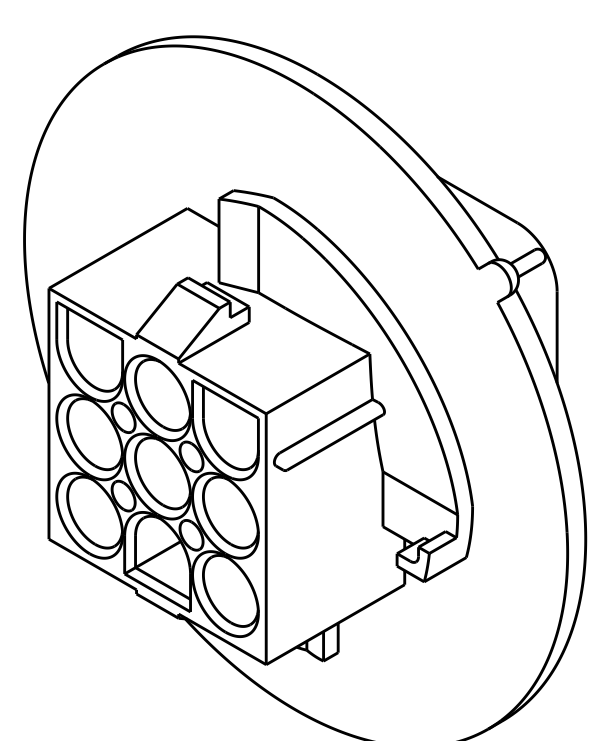
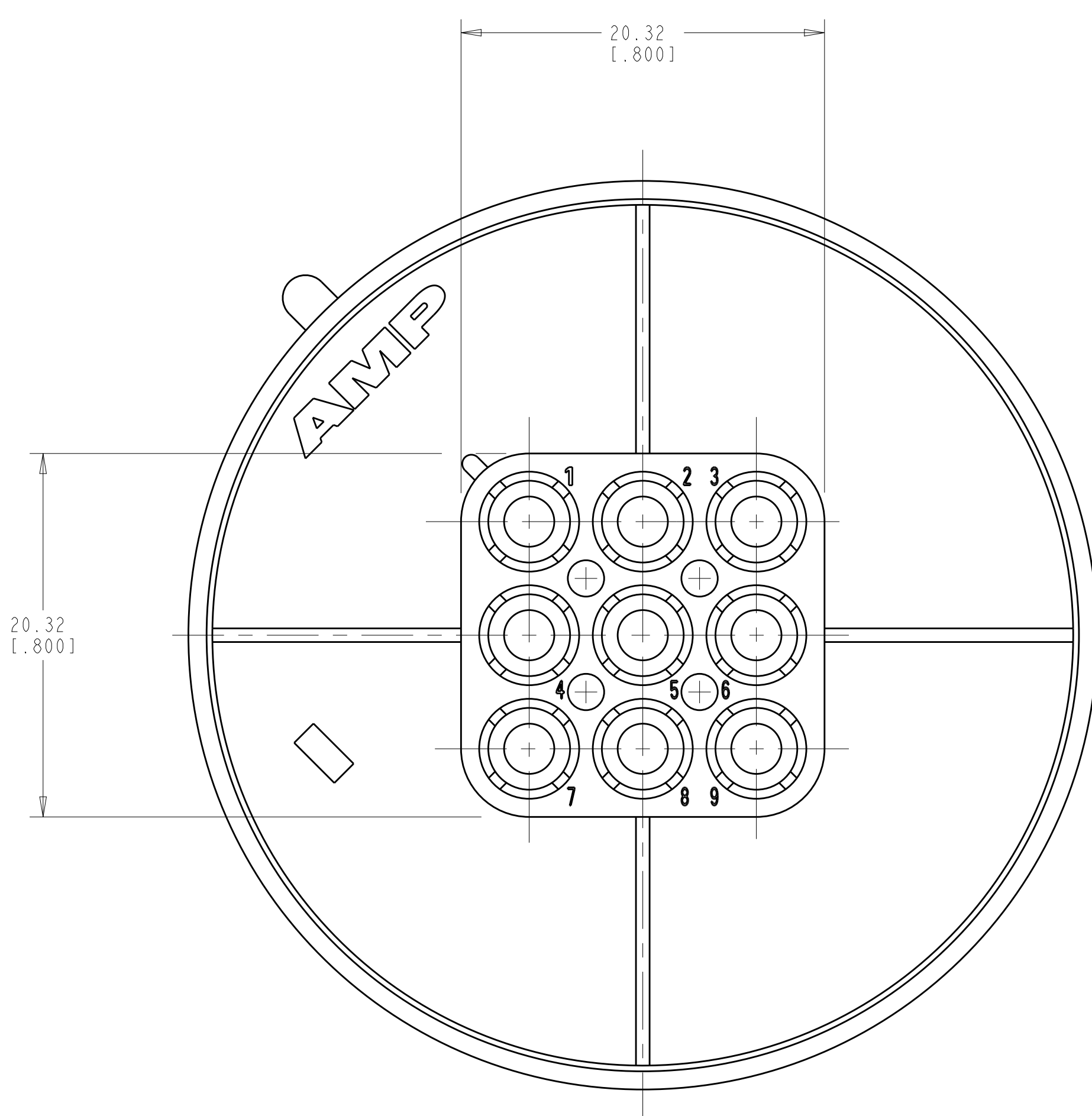
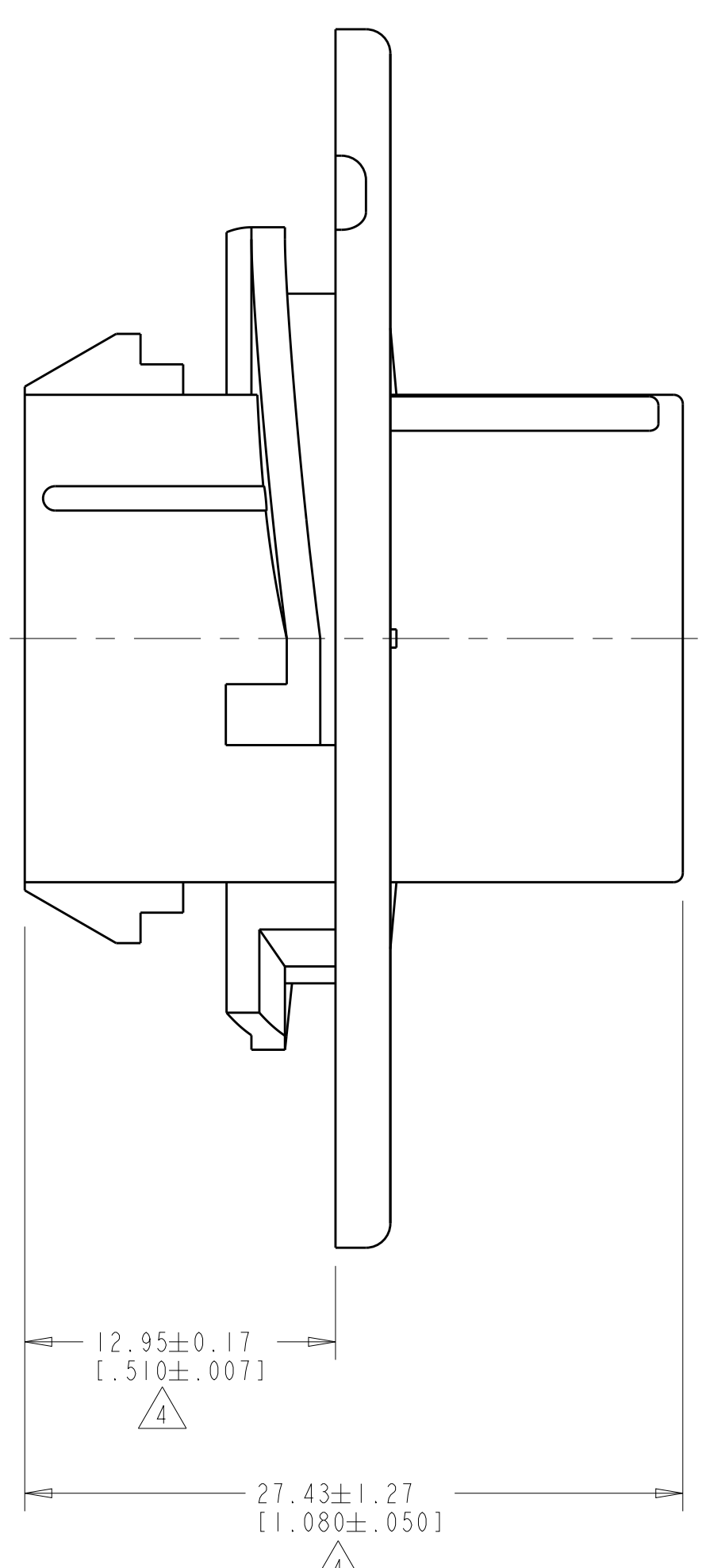
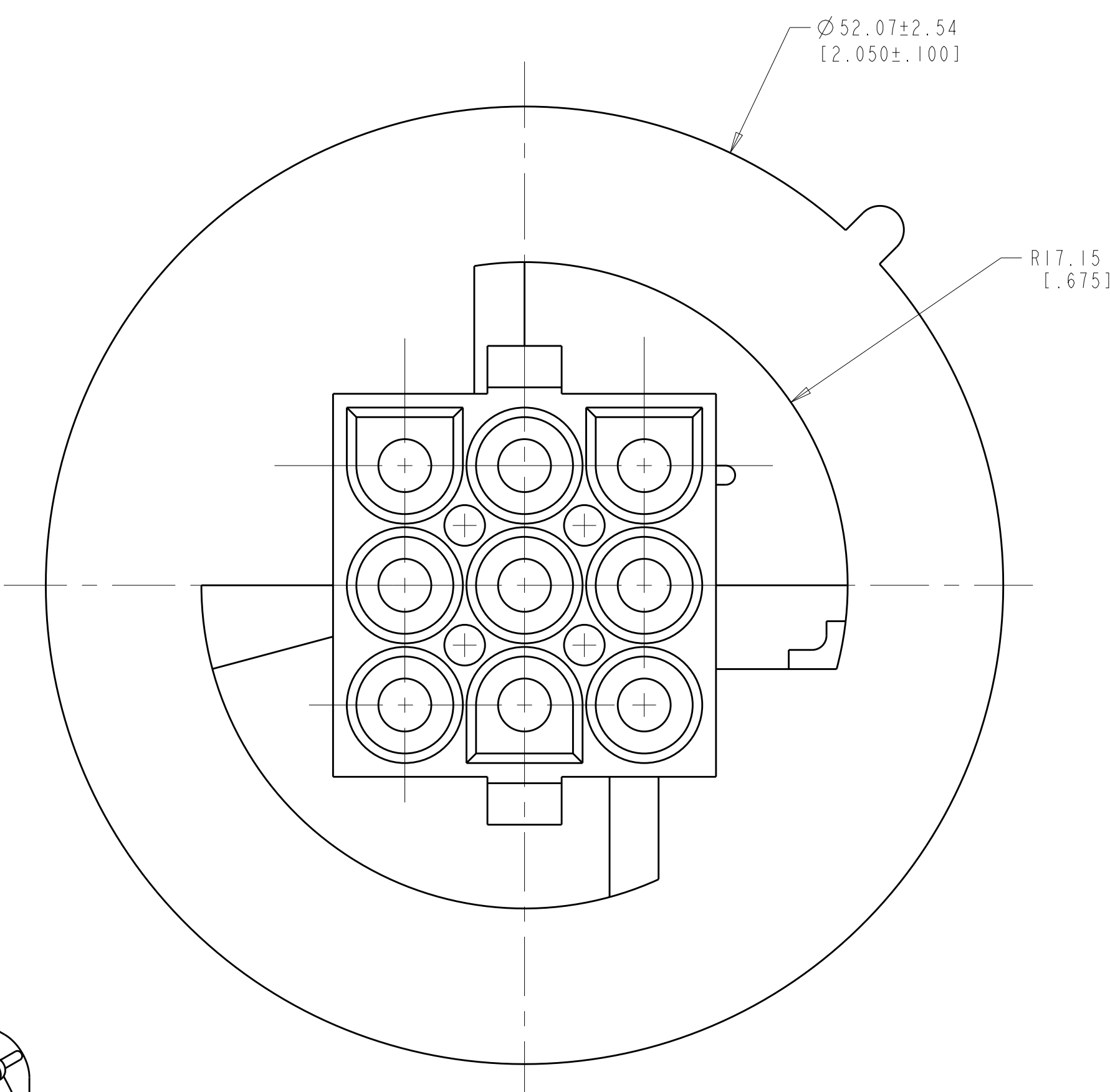
LOC	DIST	REVISIONS			
P	LTN	DESCRIPTION	DATE	DWN	APVD
L		REVISED PER ECR-10-022954	03MAR2011	HMR	TM
L1		REVISED PER ECR-14-001377	17APR2015	AV	DZ



RECOMMENDED CUT OUT

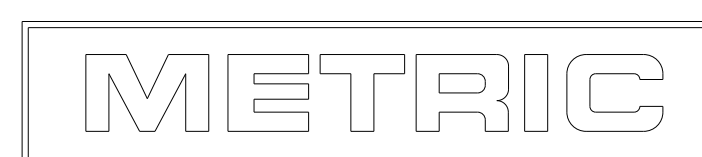


- MATES WITH APPROPRIATE UNIVERSAL MATE-N-LOK™ PLUG.
  - RECOMMENDED PANEL THICKNESS 0.76 - 2.29 [0.030 - .090].
  - PANEL MUST BE PUNCHED SO THAT THE HOUSING ENTERS THE PANEL IN THE SAME DIRECTION AS THE PUNCH.
- ⚠ DIMENSIONS INDICATED ARE REFERENCE. ADDITIONAL GROWTH DUE TO SUBSEQUENT MOISTURE ABSORPTION MAY OCCUR.



3-DIMENSIONAL MODEL  
SCALE 2:1

BLACK	1-794715-9
GRAY	1-794715-8
BLUE	1-794715-6
GREEN	1-794715-5
YELLOW	1-794715-4
ORANGE	1-794715-3
RED	1-794715-2
BROWN	1-794715-1
NATURAL	794715-1
COLOR	PART NUMBER



THIS DRAWING IS A CONTROLLED DOCUMENT.		DWN: R. WHITAKER 06-OCT-1999	TE Connectivity CAP. 9 CIRCUIT, UNIVERSAL MATE-N-LOK(TM), SPECIAL
DIMENSIONS: mm [INCHES]		CHK: M. TRULL 06-OCT-1999	
TOLERANCES UNLESS OTHERWISE SPECIFIED:		APVD: M. TRULL 06-OCT-1999	NAME: CAP.
0 PLC ±	1 PLC ±	2 PLC ±	3 PLC ±
4 PLC ±	ANGLES ±	APPLICATION SPEC	
MATERIAL: NYLON UL 94V-2, NATURAL		FINISH: 40° 30'	SIZE: A1
WEIGHT: -		CAGE CODE: 00779	DRAWING NO: 794715
CUSTOMER DRAWING		SCALE: 4:1	SHEET: 1 OF 1